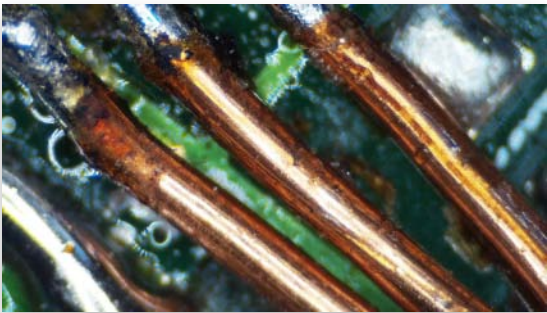
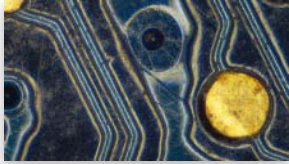


A complete solution for continuous zoom microscope for large size surface observation



Long working distance:  
0mm~232.5mm  
Ultra wide field of view:  
31.6mm × 17.7mm

3.5 MP HD Camera  
1080i 60 FPS preview  
720P HD record

High definition optical lens  
The lifetime of the zoom  
is over 20,000 times  
9.5X~120X overall  
magnifications

360 °dual twist  
lock design  
Pneumatic high  
precision suspension arm

Equipped with  
12.5"HD 1080P  
monitor

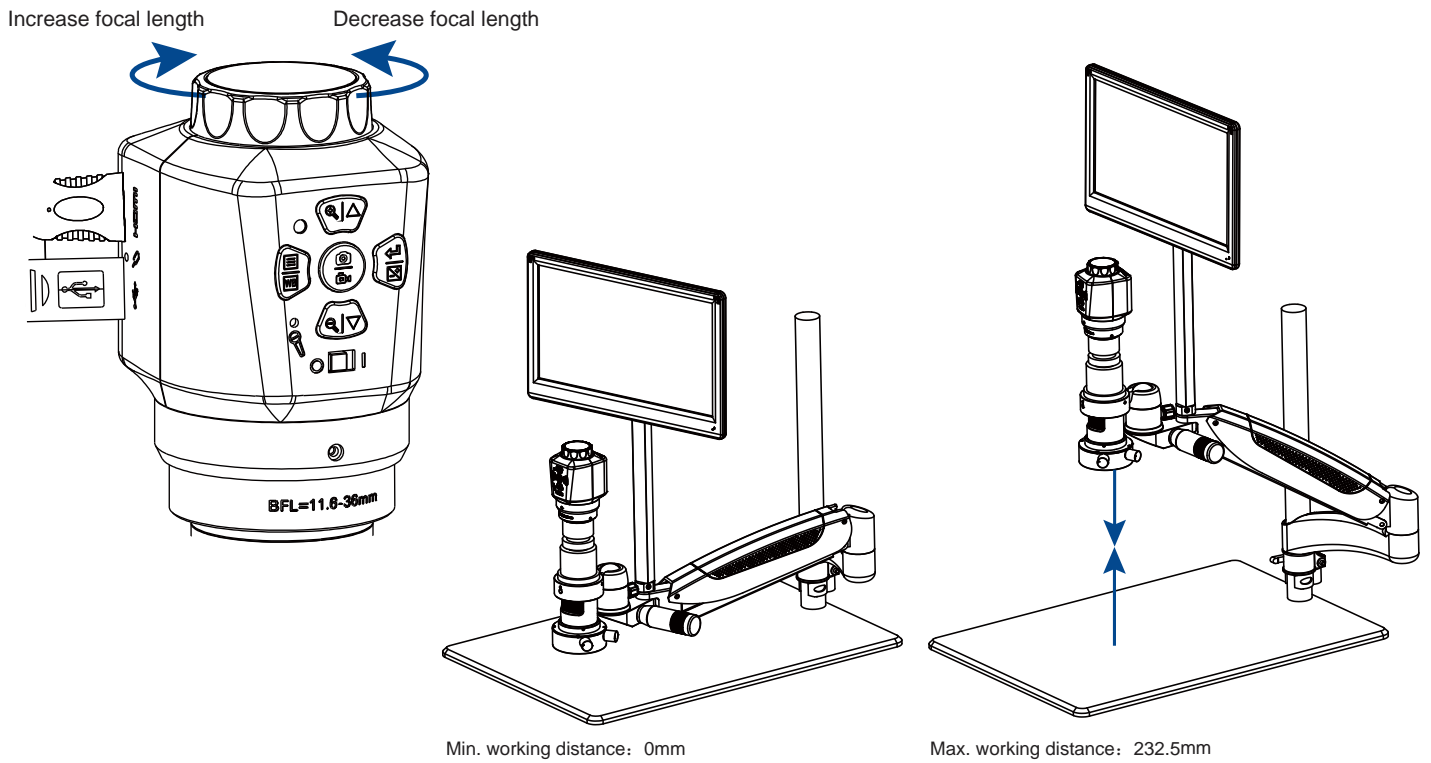
Unique diffuse  
light & external  
coaxial light.

# Highlights

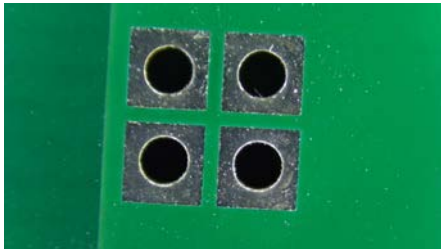
HD62 combined the traditional optical and electronic video technology, completely solves the disadvantages of the traditional microscope, which is easy to cause human fatigue when observed for a long time. HD62 integrates magnification imaging, monitor and LED lightings into one. It is designed for fast and efficient observation of details.

It has unique manual focus knob on top of camera helps you to product the sharpest image within the working distance (0mm~232.5mm ) when the observation object size changed from small to large. Avoid tedious adjustment work and directly change the working distance through eye-height adjustment ring and expand the original magnification ratio of the microscope.

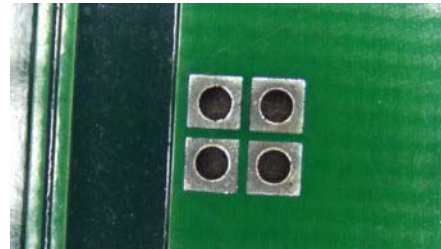
1



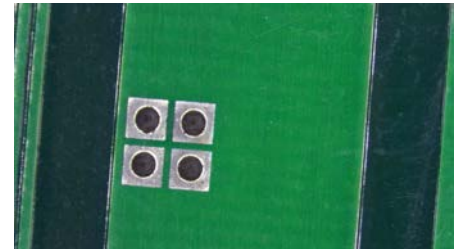
Achieve sharpest images at different working distance by manual focal knob adjustment.



Working distance: 0mm



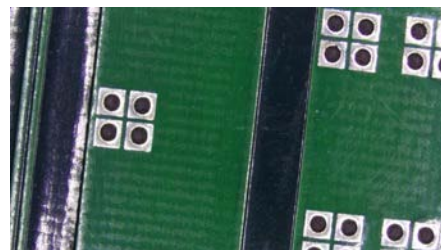
Working distance: 50mm



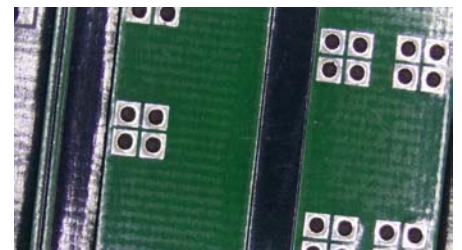
Working distance: 100mm



Working distance: 150mm



Working distance: 200mm



Working distance: 232.5mm

With a factory integrated 3.5MP 1080i 60fps digital camera and HD lens.



Easy to realize continuous zoom to overall magnification of 9.5X~120X (based on 12.5" monitor).

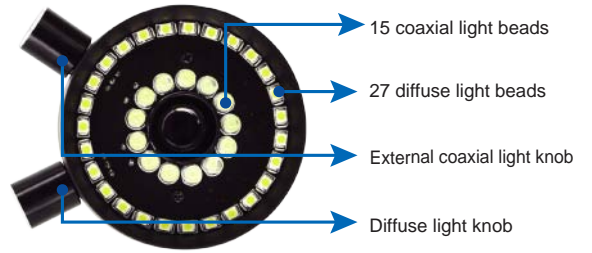


Working distance	When in 0.7X	0mm~232.5mm adjustable
	When in 1X	6mm~144.5 mm adjustable
	When in 2X	61mm~101.5mm adjustable
	When in 3X	77.5mm~95.5mm adjustable
	When in 4X	83.5mm~93.5mm adjustable
	When in 5X	85.5mm~91.5mm adjustable
Depth of field	When in 0.7X	2mm~9.5mm
	When in 1X	2mm~3.3mm
	When in 2X	0.7mm~1mm
	When in 3X	0.46mm
	When in 4X	0.39mm
	When in 5X	0.32mm
Observation range , adjustable (L x D)	31.6mm x 17.7mm~2.3mm x 1.3mm	
Overall magnification (based on 12.5" monitor)	When in 0.7X	8.8X~35.8X
	When in 1X	17.3X~31.6X
	When in 2X	41.8X~45.4X
	When in 3X	62.7X~68.7X
	When in 4X	85.4X~94.3X
	When in 5X	106.3X~119.4X



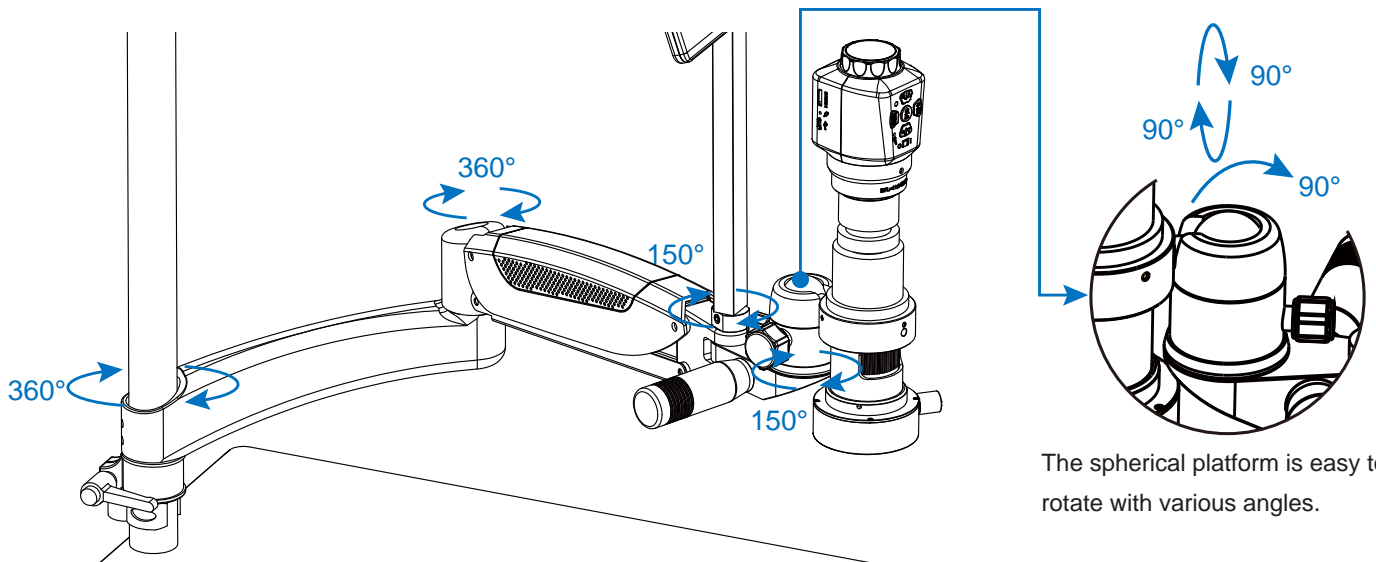
HD62 is equipped with the External coaxial light, which can uniformly illuminate the surface of the plane and the shiny surface, and enhance the features of marking, recessing or embossing. It can highlight the uneven surface of the object, overcome the interference caused by the reflection of the surface, and improve the microscope reproducibility, more details shown.

- Reduce glare under diffuse light.
- More conducive to the observation of the smooth surface, the highly reflective surface and the hard-to-reach area under external coaxial light
- The two ring lights are independently controlled, and the brightness can be freely combined and adjusted according to the actual observation situation.
- It is powered by the monitor safe and reliable, and reduces the floor line, save space of working table.



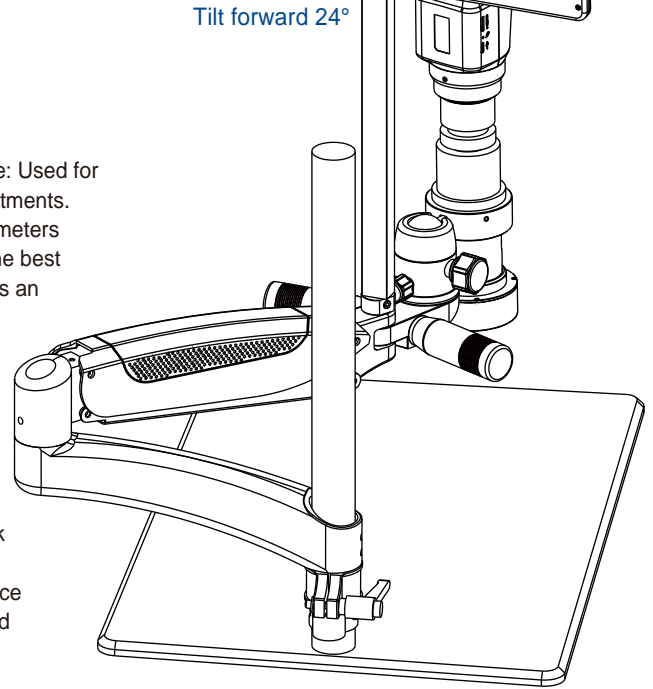
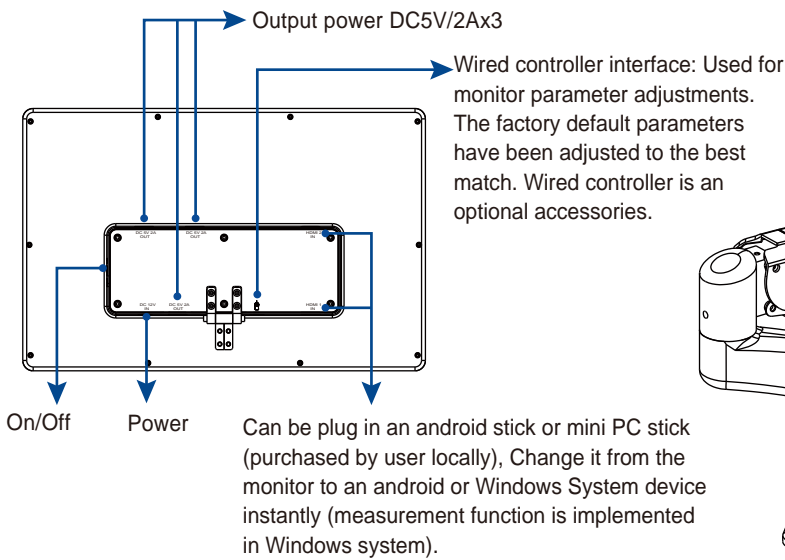
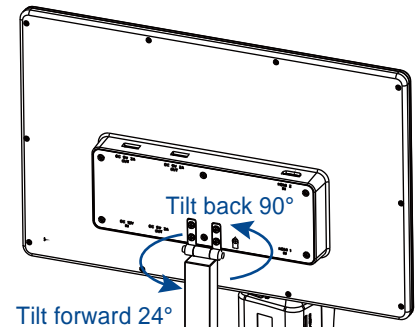
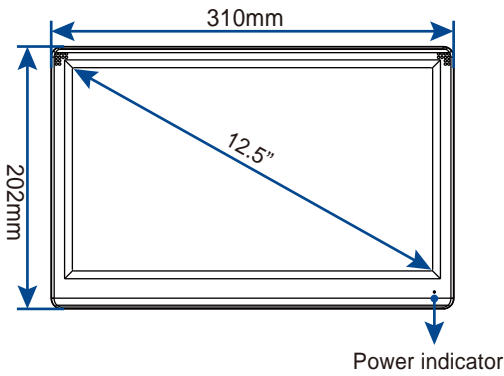
	With diffuse light	With external coaxial light & diffuse light
PCB		 More details shown
Surface of glass		 Clearer surface scars
Surface of metal		 Stronger sense of 3D

Outstanding ergonomics design with 360° universal shaft bracket, to hover randomly. It is flexible and easy to use, convenient for operator to view from different angles. Free up the operator's head and body, the work efficiency can be improved and fatigue can be reduced effectively



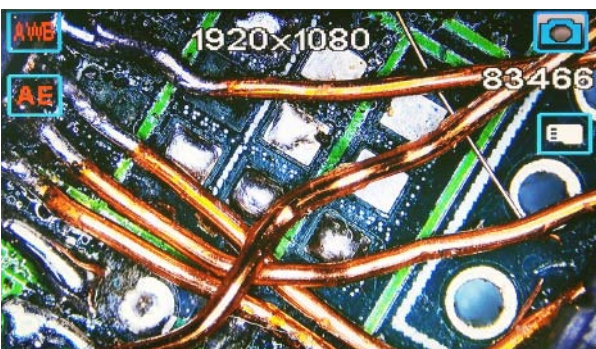
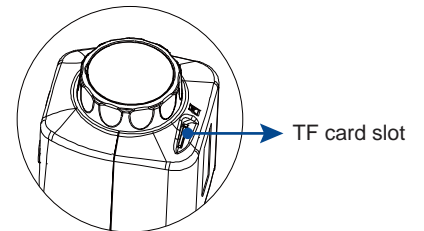


Integrated solution - one device can achieve multiple functions of low magnification tasks; Equipped with all-in-one 12.5" monitor, when needed, operator can fine-tune screen angle to look up (max 90 °) or look down (max 24 °)



Simple, easy-to-use image and video capture software is included as standard to allow you to use it instantly.

- Camera buttons can optimize camera settings, including white balance, exposure, sharpness, contrast, freeze, crosshairs, and more.
- The software menu supports 9 languages: English, Chinese (Simplified/Traditional), Japanese, Russian, French, German, Italian, and Spanish.
- The captured image supports JPG format.
- Recorded video supports MOV format, perfect for training.
- Equipped with TF card slot, support up to 64G TF card for image and video saving (self-provided TF card).



Rich Functions

- |                          |                 |                        |            |
|--------------------------|-----------------|------------------------|------------|
| Exposure                 | HDR             | Key tone               | Freeze     |
| White balance            | Sharpness       | Auto turn off          | Reticle    |
| Resolution               | Snapshot mode   | Languages              | Formatting |
| Continuous Capture Modes | Color           | Light source frequency | Default    |
| Image quality            | Instant preview | Image rotation         | Version    |



## Specifications

### HD62 Camera specifications

Image Sensor	Aptina AR0330 CMOS Sensor
Expose mode	Rolling shutter
Maximum Resolution	2304 x 1536 (3,538,944 pixels)
Sensor Optical Format	1/3" (5.07mm(H) x 3.38mm(V), Diagonal 6.09mm)
Pixel Size	2.2μm x 2.2μm
Dynamic Range	69.5dB
SNR (Signal Noise Ratio)	39dB
Spectral Characteristics	380~650nm
Exposure Capability	Real-time auto, Single auto, Manual adjustment
White Balance	Real-time auto, Single auto, Manual adjust R G B seperately
Display (preview) resolution	HDMI:1920X1080i60, 1920X1080P30,1280x720P60, 640x480P60(Auto fit by the monitor)
Record format	Snapshot Picture Format: JPG Resolution: HDMI: 2304 x 1536,2304 x 1296,1920x1080,1280x720,800x480 Record Video Format: MOV Resolution: HDMI: 1280x720@30FPS, 800x480@30FPS
Record Route	HDMI: TF card(Maximum support 64G)
Power supply	Power adapter: Input:AC100-240V/50-60Hz;Output:DC12V/5A/60W Monitor: USB-A-Output:DC5V/2Ax3

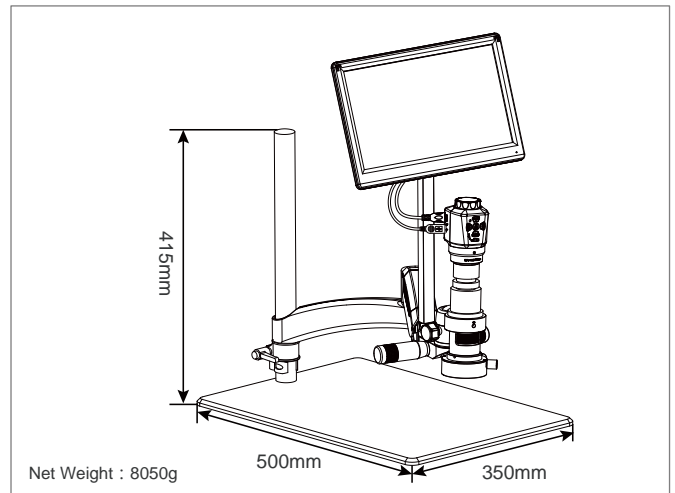
### HD62 Lens specifications

Optical Magnification	0.7X-5X			
Optical Resolution	When in 0.7X	16.78um	When in 3X	6.10um
	When in 1X	11.18um	When in 4X	4.79um
	When in 2X	8.39um	When in 5X	4.79um

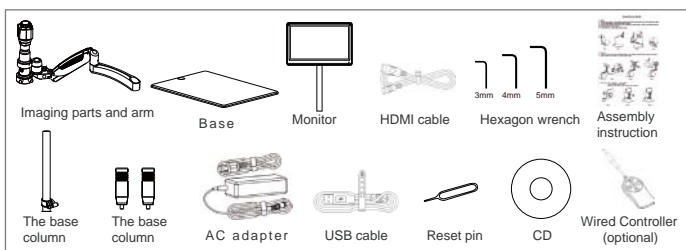
### Monitor parameters

Size	12.5"
Type	a-Si TFT-LCD/IPS
Resolution	1920x1080
Color display	16.7M
Brightness	300 Nit
Contrast	800:1
Visible angle	170° horizontal & vertical

## Dimensions



## Packing list



Lanoptik Technologies Limited

R1002, No.140 Zhongshan Ave. Guangzhou, China 510630

Phone: +86 20 38986017 Fax: +86 20 38476076

Email: sales@lanoptik.com Website: www.lanoptik.com