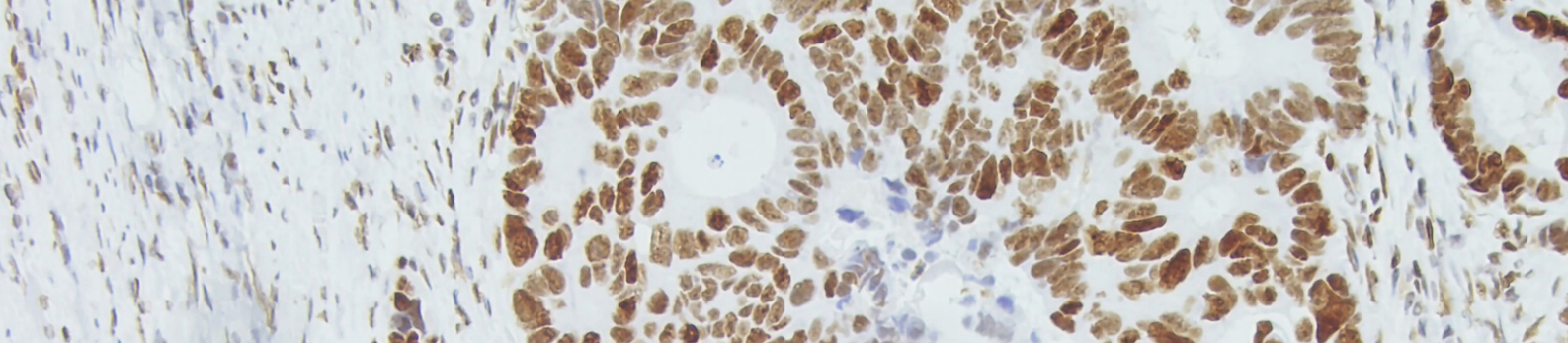




5G WiFi Multi-point Simultaneous High-speed Transmission

**Innovated Multi-viewing System for  
Your Microscope**



## Wireless Multi-viewing Workstation for Microscope

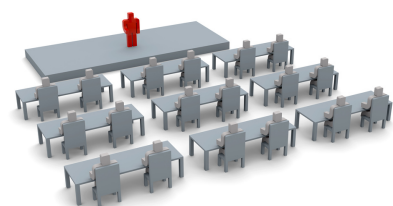


The wireless multi-viewing workstation MV60 is an innovative product integrated with high performance microscope camera and WiFi module. It adopts 5G WiFi technology to achieve simultaneous multi-point high-speed transmission. Designed for multi-person viewing of microscope live images. The MV60 is an ideal equipment suitable for education, seminar, conference and other applications.



### SUPPORT 60 TERMINALS

Thanks to robust and specially designed 5G WiFi module, the live microscopic images can be simultaneously streamed to up to 60 smart devices, including smart phone, tablet, laptop, desktop, smart TV and flat-panel display. MV60 provides you with an unparalleled visual experience.



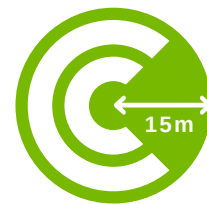




## Make Sharing More Convenient

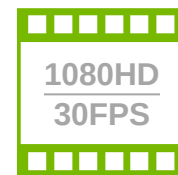
### LARGE COVERAGE RANGE

The covering radius of WiFi signal is 15 meters, suitable for use in a space below 300 square meters, such as conference hall, laboratory, and classroom.



### STABLE & HIGH-SPEED TRANSMISSION

Specially designed 5G WiFi module supports the IEEE 802.11ac protocol to guarantee stable transmission of live image to each terminal simultaneously at 30 fps.



### MATCH ALL TYPES OF MICROSCOPES

MV60 provides various types of optical interfaces (dovetail or C mount) to be compatible with different brands and models of trinocular microscope.



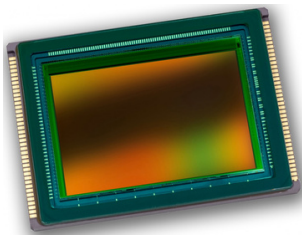
### ADAPT TO YOUR SMART DEVICE

For terminal devices with different operating systems (Microsoft Windows, Android and Apple iOS), there are corresponding imaging software and App. Audience just scan the QR code to connect with the MV60 and receive live images.





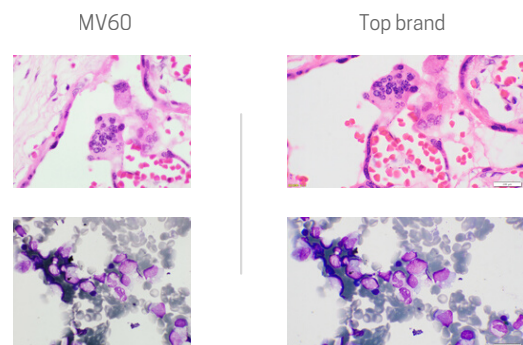
## Outstanding 12 Megapixel Microscope Camera



MV60 employs the latest back-illuminated and stacked CMOS image sensor with diagonal 7.857 mm (Type 1/2.3"). Max. recordable pixels are up to 4000x3000 (12 megapixel), supporting 4K output through HDMI. Unique algorithm guarantees high-speed transmission (30fps at full resolution) through H.264 video stream protocol. No need to install driver.

### EXCELLENT IMAGE RETENTION

The camera has been color-calibrated according to the optical system of top brand microscopes to obtain perfect color balance. Biological mode and industrial mode can be selected for different application types. Thanks to the dedicated color balance algorithm, the camera can not only obtain perfect "true color" images in bright field, but also perform well in dark field and fluorescence.



### TWO MODES FOR SHARING

"Image Mode" and "Desktop Mode" are available for option in the software.

- Image Mode: The user can send the live image under the microscope to each terminal via WIFI, and all audiences can get the real-time image at the same time.
- Desktop Mode: The user can share the desktop of the computer to all audiences, which means that the audiences can easily use view documents on tablet, mobile, or laptop.



# SPECIFICATIONS



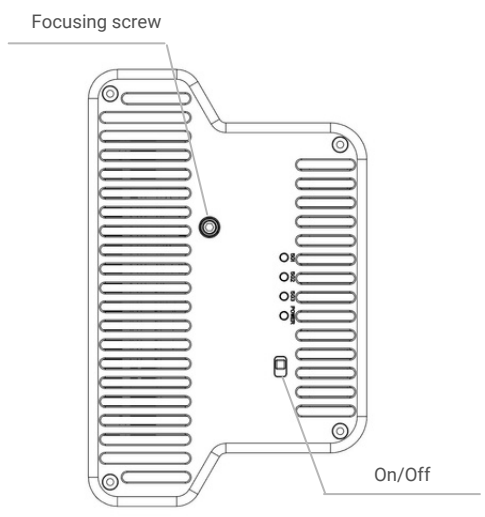
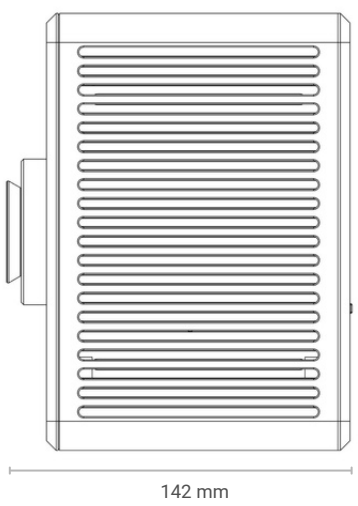
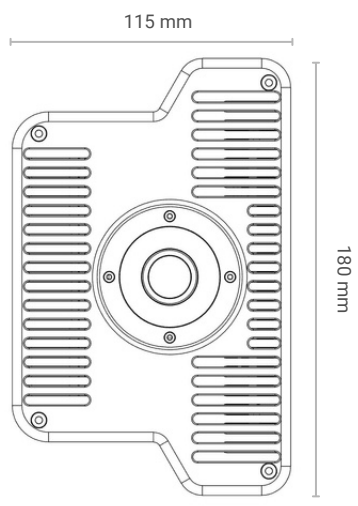
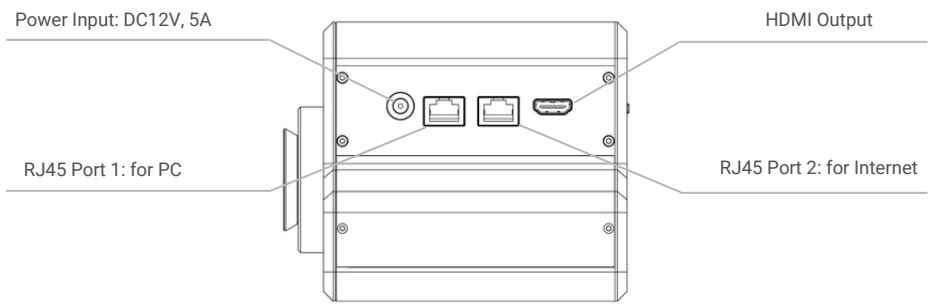
## Wireless Multi-viewing Workstation - MV60

Resolution	12 MP (4000x3000 pixels)
Sensor Type	1/2.3" Sony CMOS
Pixel Size	1.55 $\mu$ m
Frame Rate	30 fps (60 fps on HDMI)
Shutter	Electronic rolling
Spectral Response	308 ~ 650 nm
Exposure	Realtime automatic, Manual
White Balance	Realtime automatic, Manual
Max. Terminals	60 pcs
Optical Interface	C mount (no lens) or Dovetail mount (0.43x lens)
Data Interface	RJ45 Port 1: for connecting to computer RJ45 Port 2: for connecting to the Internet HDMI Port: for connecting to HD/4K monitor, Auto-adaptive display, up to 3840x2160
WiFi Protocol	5G WiFi, IEEE 802.11ac
WiFi Frequency	5.180 ~ 5.825 GHz
Signal Rate	2600 Mbs
Wireless Security	WPA / WPA2, WPA-PSK / WPA-PSK2 encryption
WAN Type	Dynamic IP
Network Protocol	Supports IPv4 and IPv6
Image Format	Snapshot: JPG, BMP, PNG, TIFF Record: MP4 file
Power Input	DC 12V, 5A
PC Software	Pixit Pro_64bit
Weight	2.1 KG
Dimesions	180x142x115 mm

## RECOMMENDED COMPUTER CONFIGURATIONS

- Computer: Brand PC
- CPU: Core 9th generation i5 or above
- Memory capacity: 16GB
- Solid state drive capacity: 512G or above
- Monitor: 27-inch full HD display
- Operating system: Microsoft Windows10 (64 bit)
- Discrete graphics card: NVIDIA GTX 1060 6G or better

# DIMENSIONS



Specifications are subject to change without any obligation on the part of the manufacturer.

---



## LANOPTIK TECHNOLOGIES LTD

No. 72 Hongjing Street, Lejia Road, Baiyun District, Guangzhou, China. 510400

Phone: +86 20 3898 6017 | Fax: +86 20 3847 6076

Website: <http://www.lanoptik.com> | Email: [info@lanoptik.com](mailto:info@lanoptik.com)